

MAXI Sandbox: Assembly Instructions

The following tools are required: 10 mm wrench, Phillips-head screwdriver, a hammer and a second person, if necessary.

1. Begin by sorting all the parts according to types and lengths - See Parts List.

Note: The owners of Austrian factory of the MAXI Sandbox are very concerned about the environment and they take the strict European Community rules very serious as a result your MAXI Sandbox has been made from solid wood, which sometimes warps slightly. This can be especially the case with the Roof Supports/Uprights (J). However, the “U-shaped” plastic gliders (Y) offer enough space to allow for this. Please do not be concerned. In addition, the color stain is a water based environmentally friendly preservative, which does not always color the wood evenly, however the preservative does work everywhere.

2. Fig. 1; Assembly of the foundation. See figure 1 – be careful to make sure you put the two (I) boards (with a hole in the middle) on top of each other at opposite sides of the square box. The roof posts (uprights) (J) attach to these boards.
3. Fig. 2: Attach the roof posts (J) on the outside of the (I) boards. The rough-drilled holes in the roof posts must be facing to the outside! Use the (P) bolts.
4. Lay out the bench boards (K) and (L) so that they form a square, then stick in the dowels (D) in each corner and attach them to the top of the foundation square using the screws (C).
5. Fig. 1; Attach the 2 short wooden blocks (R) to the two sides without the roof supports – use screws (C).
6. Fig. 2a: Safety Stop Assembly: Put the blue safety pins (F) through the Triangular Roof Boards (O) in such a way that the bolt head sits in the clearance space - (it will be on the inside of the triangular board). Slide the Blue Plastic Disk over the other end of the Safety Pin (on the outside of the Triangular Roof Boards).
7. Fig. 2 and 2a: Attach the Black Plastic Shoes (Y) by pressing the little “pins’ at the outer ends of the Shoe into the half-holes in the Triangular Roof Board (on the inside) and add two screws (E) through the pre-punched holes (in the Shoe).
8. Fig. 2; Pass the plastic-covered wire rope through the plastic shoe (Y): push about 2 inches through the top hole from the inside, then feed the rope back through the hole immediately below. Bring it to the front around the side and loop the rope under the wire between the 2 holes and pull tight.
9. Fig. 2a: If you have not already done so lift the each Roof Board with Black Shoe over the Roof Supports (uprights) (J).
10. Fig. 3: Attaching the 2 Lateral Bars (M): Cut out four strips from the cardboard box, each approx. 4” x 2.5” and place them between the roof posts (J) and the Bars (M).

MAXI Sandbox: Assembly Instructions

11. Fig. 3; Lay the roof lateral bars (M) with 2 small holes on each end on top of the Triangular Roof Boards about 4” from the Roof Uprights and attach them with screws (B).
12. Fig. 3: Lay the blue Awning over the Triangular Roof Boards and Lateral support Bars and attach the outer ends of the Awning with the (N) bars in them to the Triangular Roof Boards – with bolts (A). Push the bolts through the holes in both the awning and in the (N) bar. Remove cardboard strips!
13. Fig. 3A: Push the blue funnel-shaped plastic sleeves (S) (crank handles) onto the aluminum pipe (U). Line up the plastic holes at the narrow end of the “funnel” with the holes in the aluminum pipe, and place a metal cotter pin through them (open cotter pin with screwdriver or pliers to keep in place).
14. Fig. 3A: Place Blue Plastic Cap (T) on top of both Roof Support Uprights (J) and place the aluminum pipe with crank handles inside. Attach Plastic Caps (T) to Roof Uprights with 2 screws (C).
15. Fig. 3A (bottom): Pass the rope through the two small holes in the ring at the end of the funnel shaped crank handles. Making sure you have the exact same length of rope between the roof and the aluminum pipe (this way the roof rolls up or down evenly).
16. Finally slide the Orange handles over the blue handles of the crank handle mechanism to make the cranking process easier.

Note: When you lift or lower the roof, set your second hand on top the roof post for more stability.

Suggestion: if you find that the roof does not slide up and down easily enough rub some candle wax on the Roof Supports. We recommend keeping the roof closed when not in use to keep cats out, and prevent damage from high winds.

Safety Precaution: when the roof is open, the safety pin (F) (Safe Stop) must always be pushed through the hole in the Roof Support Upright (J)!

Maintenance Instructions: Cracks in solid timber are unavoidable – use sandpaper to smooth to prevent splinters. The water-repellent finish will be affected by sunshine and rain and should be renewed when it wears off. We recommend treating your sandbox with an environmentally friendly wood preservative each couple of years.

We hope your children will enjoy your MAXI Sandbox for years to come. Thank you!

Please contact us with any questions and/or concerns you might have:

Customer Service:

866-510-8585 or customerservice@europeangarden.com

European Garden
130 Kestrel Lane
Red Rock, TX 78662

MAXI Sandbox: Assembly Instructions

Fig. 1

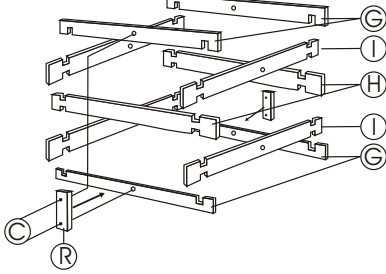


Fig. 2

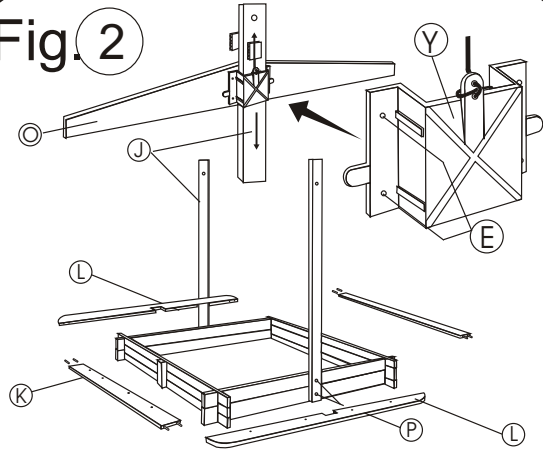


Fig. 3

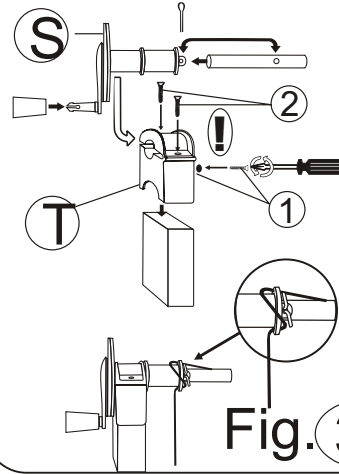
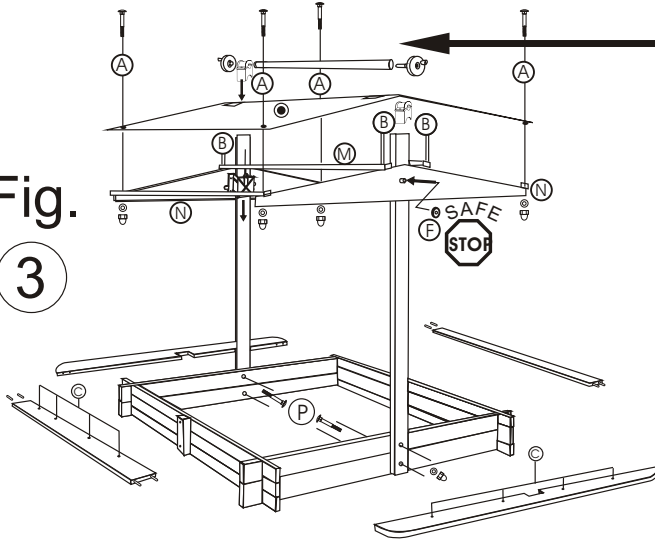
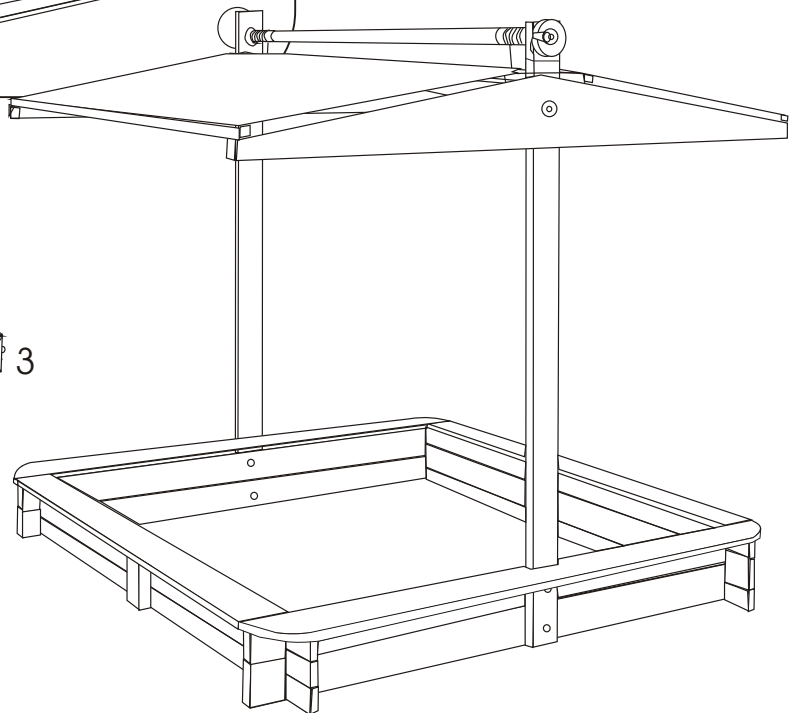
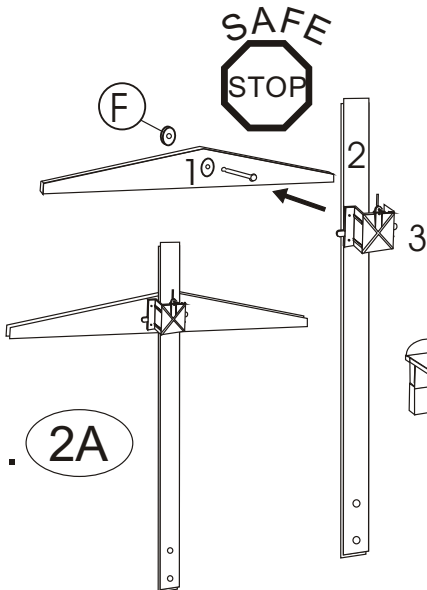


Fig. 3A

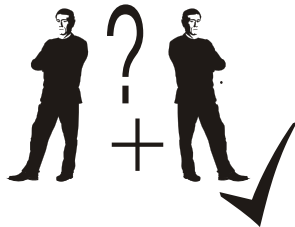
Fig. 2A



MAXI Sandbox: Parts List

(P)		55MM	4 x
(A)		60MM	4 x
(B)		50MM	8 x
(C)		40MM	22 x
(D)		40MM	8 x
(E)		20MM	8 x
(F)			2 x

(G)		4 x
(H)		2 x
(I)		4 x
(J)		2 x
(K)		2 x
(L)		2 x
(M)		2 x
(N)		2 x
(O)		2 x
(R)		2 x



(S)		2 x
(T)		2 x 4 x
(U)		1 x
(V)		2 x
(Y)		2 x
(Z)		1 x